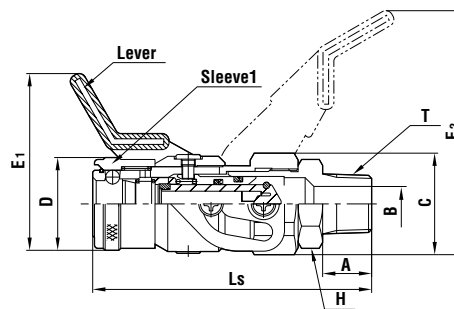
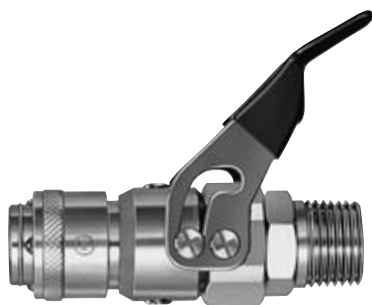


Socket



Model	Application	Mass (g)	Dimensions (mm)									
			Ls	øD	E <sub>1</sub>	E <sub>2</sub>	H(WAF)	øC	A	T	øB	
PV-20SM	Rc 1/4	225	79	26.5	50.5	70	Hex.22	29	13	R 1/4	7	
PV-30SM	Rc 3/8	229	80	26.5	50.5	70	Hex.22	29	14	R 3/8	10	
PV-40SM	Rc 1/2	235	82	26.5	50.5	70	Hex.22	29	16	R 1/2	14	
PV-400SM	Rc 1/2	411	94	35	61.5	82	Hex.30	37.5	16	R 1/2	13	
PV-600SM	Rc 3/4	424	97	35	61.5	82	Hex.30	37.5	19	R 3/4	18	

How to operate

**1**

Push-to-connect operation. (In this stage the valve of the socket is not open.)

**2**

Turning down the lever opens the valve and allows the fluid to flow. (The turned-down lever works as a sleeve stopper and prevents disconnection.)

**3**

When the lever is pulled up, residual air in the plug is purged without unpleasant noise and kick back on disconnection. In this stage, the socket valve is still closed.

Application example

