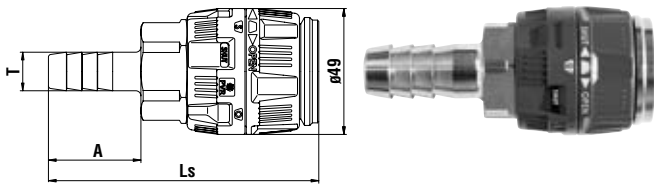


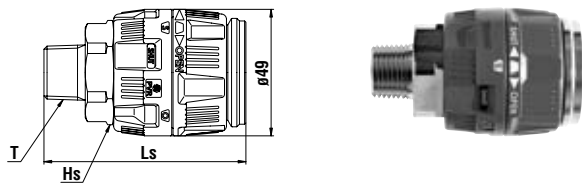
**Models and Dimensions** WAF : WAF stands for width across flats.

**Socket SH type (Hose barb)**



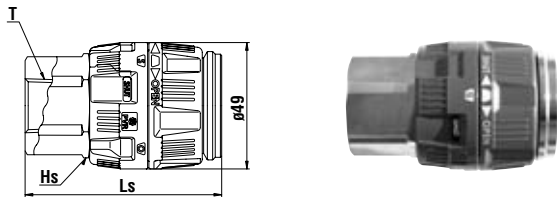
Model	Application (Hose)	Mass (g)	Dimensions (mm)		
			Ls	A	øT
PVR-400SH	1/2"	380	105	36	15
PVR-600SH	3/4"	361	109	45	21
PVR-800SH	1"	440	118	55	27

**Socket SM type (Male thread)**



Model	Application	Mass (g)	Dimensions (mm)		
			Ls	Hs(WAF)	T
PVR-400SM	Rc 1/2	327	78	Hex.35	R 1/2
PVR-600SM	Rc 3/4	345	82	Hex.35	R 3/4
PVR-800SM	Rc 1	374	84	Hex.35	R 1

**Socket SF type (Female thread)**

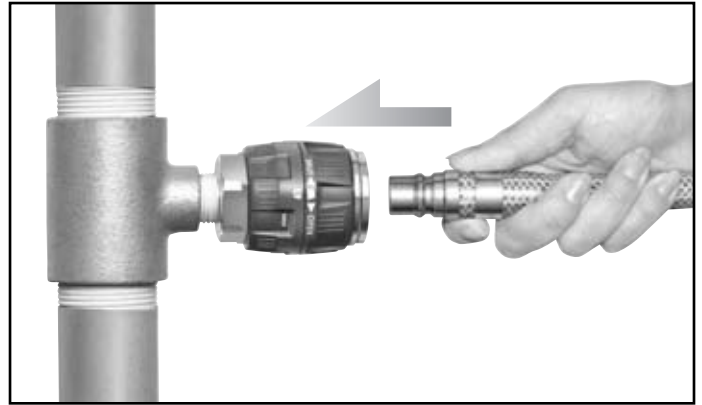


Model	Application	Mass (g)	Dimensions (mm)		
			Ls	Hs(WAF)	T
PVR-400SF	R 1/2	394	76	Hex.35	Rc 1/2
PVR-600SF	R 3/4	370	77	Hex.35	Rc 3/4
PVR-800SF	R 1	440	82	Hex.41	Rc 1

**Function of Purge Hi Cupla PVR Type**

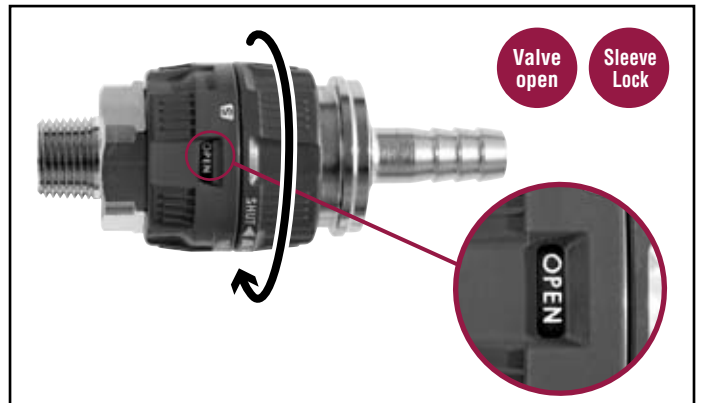
**1. Connection**

Valve opening/closing operation and plug connection to socket can be made independently. Push-to-connect operation is achieved regardless of existing pressure inside the plug.



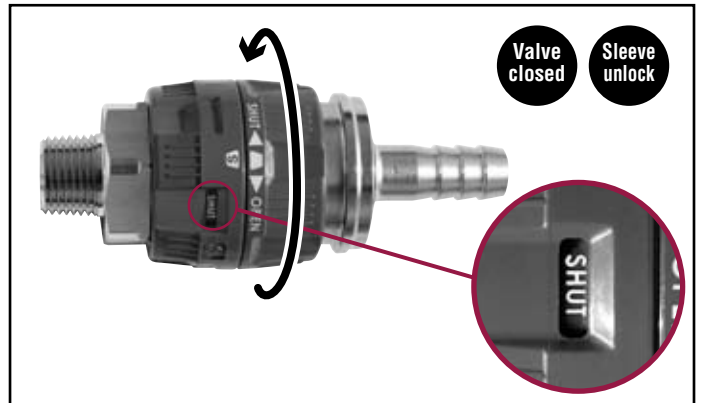
**2. Open the valve and lock the sleeve.**

Turning the operation ring will open the valve in the socket to supply air and lock the sleeve to prevent unexpected disconnection.



**3. Valve close / Sleeve unlock**

Turning the operation ring back to the original position will close the valve and stop air flow, release the residual air pressure in the plug, and unlock the sleeve.



**4. Disconnection**

Disconnection can be made without unpleasant noise and kick back due to no residual air pressure inside the plug.

