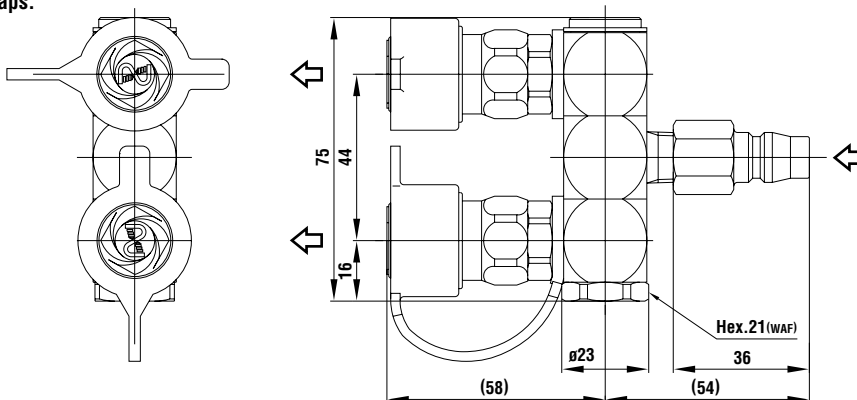


**Socket RT type (For two outlets)**

Mass : 460g

- Fluid must run in the direction of the arrow.
- The product comes with dust caps.

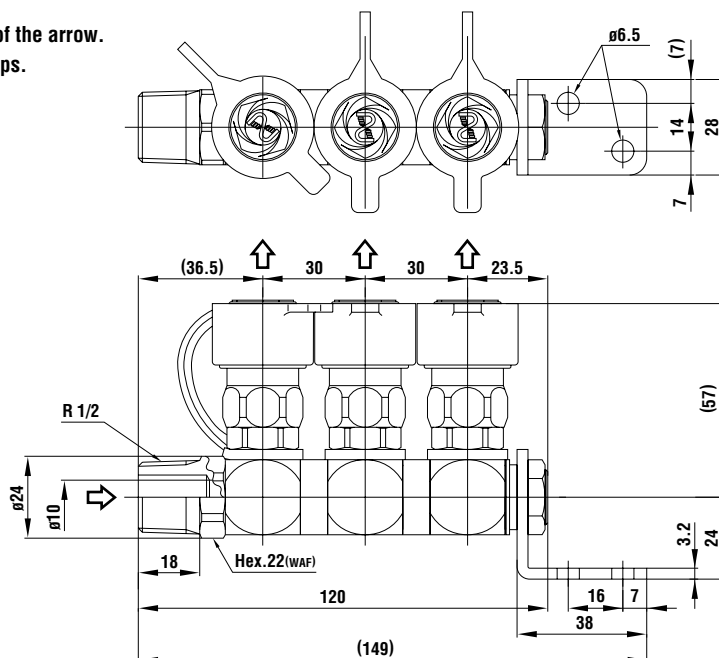


Dimensions (mm)

**Socket RE type (For three outlets)**

Mass : 630g

- Fluid must run in the direction of the arrow.
- The product comes with dust caps.



Dimensions (mm)

**Application example**



Air line manifold

Before use, please be sure to read "Safety Guide" described at the end of this book and "Instruction Sheet" that comes with the products.