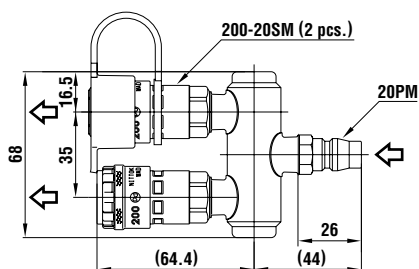


Socket 200T type (For two outlets)

Mass : 272g

- Fluid must run in the direction of the arrow.
- The product comes with dust caps.

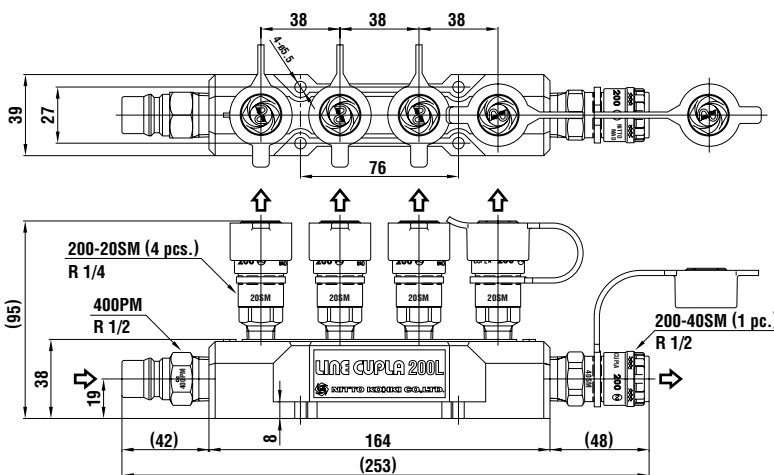


Dimensions (mm)

Socket 200L type (For five outlets, in line type)

Mass : 890g

- Fluid must run in the direction of the arrow.
- The product comes with dust caps.
- Accessory : 400SH

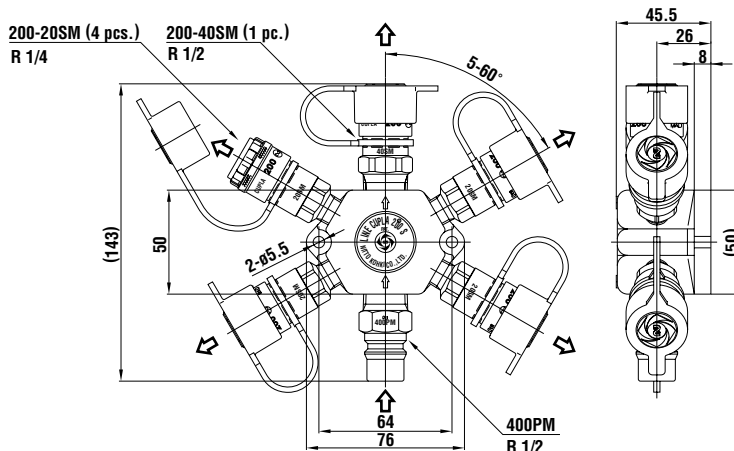


Dimensions (mm)

Socket 200S type (For five outlets, star type)

Mass : 769g

- Fluid must run in the direction of the arrow.
- The product comes with dust caps.
- Accessory : 400SH



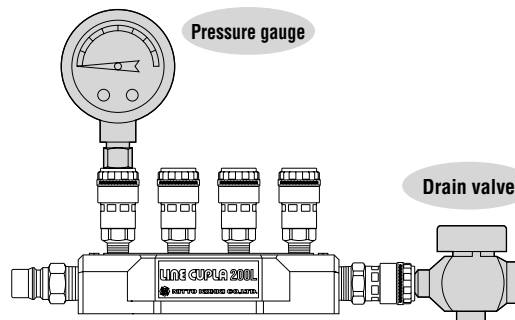
Dimensions (mm)

Application example



Optional items : Pressure Gauge and Drain Valve

“Pressure Gauge” and “Drain Cock” are available as optional items to be mounted on Line Cupla 200.



Actual appearance may differ due to incessant product improvements.