

For Air

Micro Cupla

For piping in pneumatic control devices

Working pressure



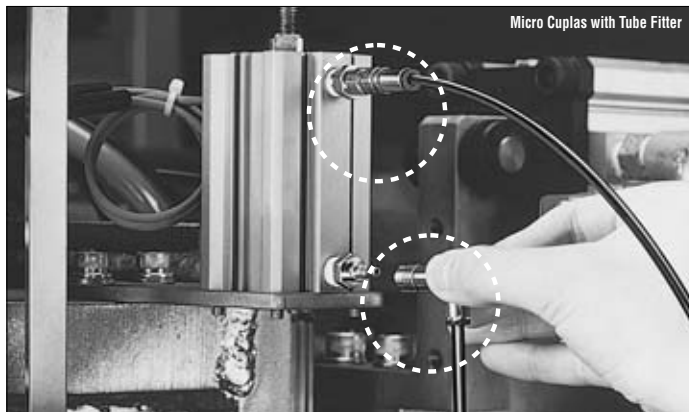
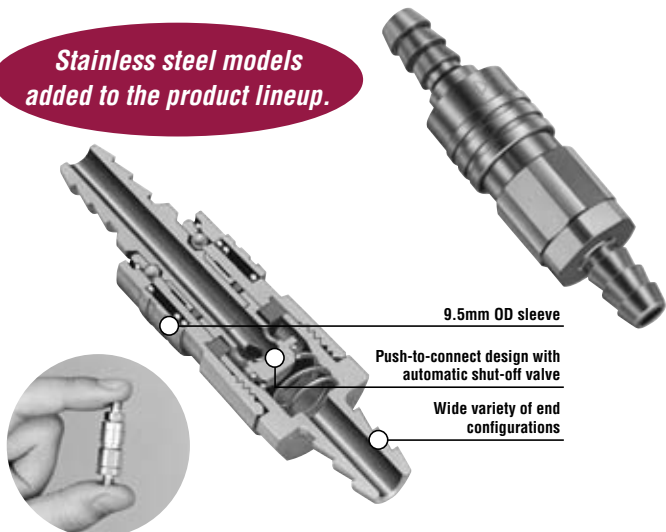
Valve structure



Applicable fluids



Stainless steel models added to the product lineup.



Compact, lightweight Cuplas with only 9.5mm outer diameter.
Push-to-connect operation. Tube Fitter type for even easier tube insertion.

- Even though the valve is built in the socket, the sleeve outer diameter is confined to 9.5mm.
- Push-to-connect design.
- Just push in and the tube mount is completed.
- By pushing the flange, the tube can be released from the Tube Fitter.
- Compact design for piping in narrow spaces.
- Chrome-plated brass and stainless steel bodies are available for excellent corrosion resistance.
- Regardless of the end configurations, all Micro Cupla sockets and plugs can be connected to each other.
- Available in various end configurations to satisfy a wide range of pneumatic applications.

Note: Fluid will flow out from the plug when disconnected because of no valve inside the plug.
 If the fluid is water and you require a valve in the plug, ask for semi-standard Little Cupla or Compact Cupla series.

Specifications

Body material	Cupla : Brass (Chrome-plated) • Stainless steel (SUS 304) Tube Fitter Type : Brass (Chrome-plated)			
Size	1/8" (minimum internal diameter 2.5mm)			
Tube size (for Tube Fitter end configurations)	Polyurethane : $\phi 4 \pm 0.1$ • $\phi 6 \pm 0.1$ Nylon : $\phi 4^{+0.05}_{-0.08}$ • $\phi 6^{+0.05}_{-0.08}$ Teflon : $\phi 4 \pm 0.05$ • $\phi 6 \pm 0.07$			
Working pressure MPa (kgf/cm ²)	1.0 {10}			
Pressure resistance MPa (kgf/cm ²)	1.5 {15}			
Seal material Working temperature range	Seal material	Mark	Working temperature range	Remarks
	Nitrile rubber	NBR (SG)	-20°C~+80°C	Standard material
	Fluoro rubber	FKM (X-100)	-20°C~+180°C	Made-to-order item(s)

• Above specifications apply only to Cuplas. Working pressure, pressure resistance and working temperature range may vary depending on tube materials you use with and temperature conditions you use under. Micro Cupla with Tube Fitter has NBR packing material only.

Max. Tightening Torque

N·m {kgf·cm}

Size	M5 x 0.8	1/8"
Torque	1.3 {13}	7 {71}

Flow Direction

Air flows in either direction from plug or socket side when coupled.



Interchangeability

Sockets and plugs can be connected regardless of end configurations.

Min. Cross-Sectional Area

(mm²)

Model	MC-04SP	MC-05SP	MC-10SP	Tube Fitter Type for 4mm OD tube	Tube Fitter Type for 6mm OD tube
Min. Cross-Sectional Area	4.9	4.9	4.9	4.9	4.9

Suitability for Vacuum

53.0kPa (400mmHg)

Socket only	Plug only	When connected
—	—	Operational

Pressure - Flow Characteristics

[Test conditions] • Fluid : Air • Temperature : Room temperature
 • Tube size : $\phi 4\text{mm} \times \phi 2\text{mm}$, $\phi 6\text{mm} \times \phi 4\text{mm}$ (Micro Cupla with Tube Fitter)

