

For Air

# Multi Cupla MAM Type

Multiple air port system

Working pressure



0.7 MPa  
(7 kgf/cm<sup>2</sup>)

Valve structure

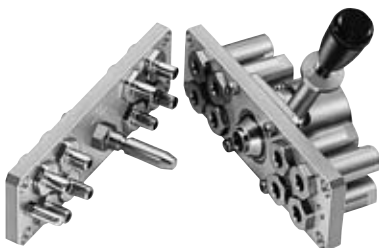


One-way shut-off

Applicable fluid



Air



Piping to work clamping device on welding robot

**Simultaneously connects several ports securely in one operation!**  
**Greatly cuts cycle time in multiple ports replacement.**

- Handles several ports at once.
- Simple manual lever action completes easy connection / disconnection.
- Lever stopper prevents a socket plate from sudden disconnection.
- Valve on socket side only.

### Specifications

Body material	Brass (Chrome-plated)			
Size	1/8"			
Working pressure MPa (kgf/cm <sup>2</sup> )	0.7 (7)			
Pressure resistance MPa (kgf/cm <sup>2</sup> )	1.0 (10)			
Seal material	Seal material	Mark	Working temperature range	Remarks
Working temperature range	Nitrile rubber	NBR (SG)	0°C~+60°C	Standard material

### Min. Cross-Sectional Area (mm<sup>2</sup>)

Per set	15.9
---------	------

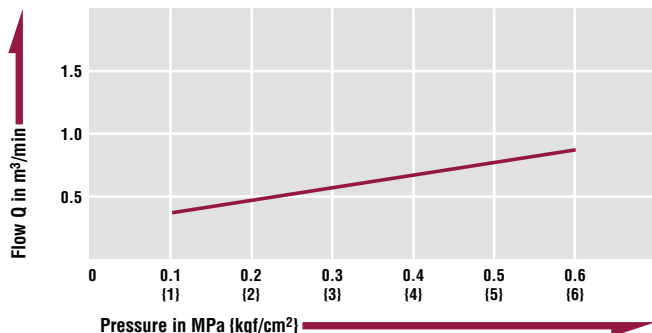
### Suitability for Vacuum

Not suitable for vacuum application in either connected or disconnected condition.

### Pressure - Flow Rated Characteristics

Per set

[Test conditions] • Fluid : Air • Temperature : Room temperature



### Models and Dimensions

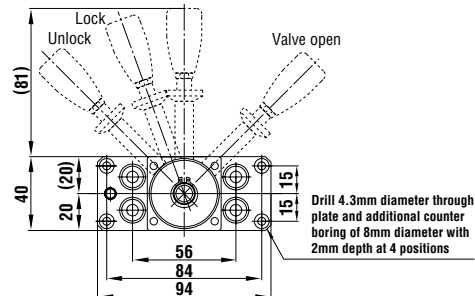
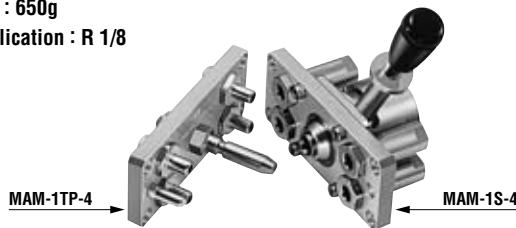
WAF : WAF stands for width across flats.

#### Plug / Socket

Model MAM-1SP-4 (4 ports type)

Mass : 650g

• Application : R 1/8



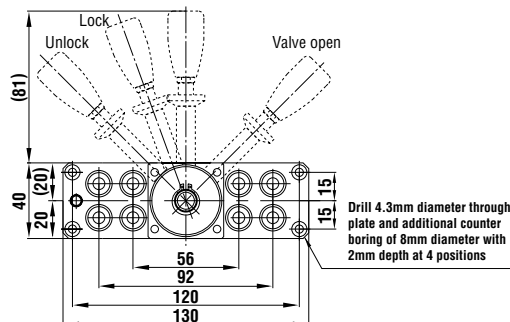
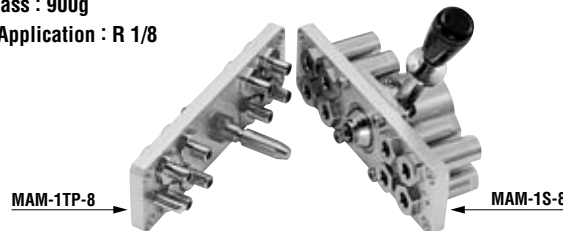
Dimensions (mm)

#### Plug / Socket

Model MAM-1SP-8 (8 ports type)

Mass : 900g

• Application : R 1/8



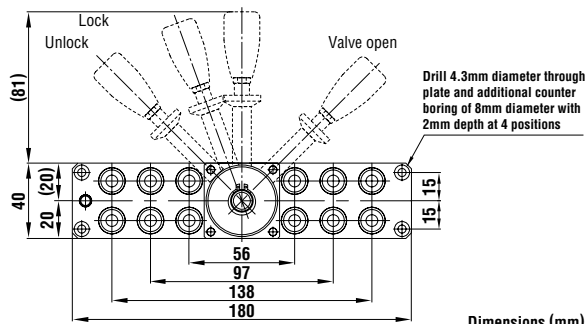
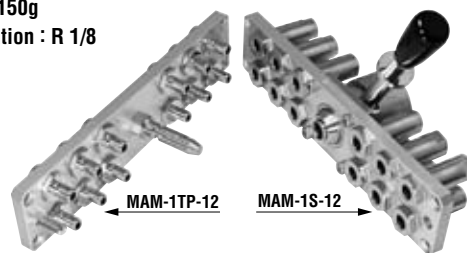
Dimensions (mm)

#### Plug / Socket

Model MAM-1SP-12 (12 ports type)

Mass : 1150g

• Application : R 1/8



Dimensions (mm)

• For this range of Cuplas, each component socket or plug alone can be supplied.