
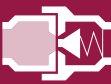

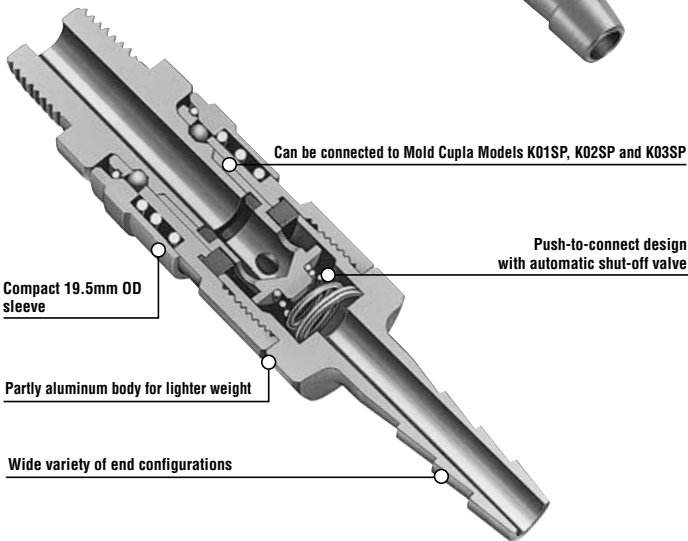


For Air

Super Cupla

Light, compact for air piping connections

| | | |
|--|--|---|
| <p>Working pressure</p>  <p>1.0 MPa (10 kgf/cm²)</p> | <p>Valve structure</p>  <p>One-way shut-off</p> | <p>Applicable fluids</p>  <p>Air</p> |
|--|--|---|



**The lightweight design makes the Cupla best suited to power tools!
Push-to-connect for easy operation.**

- Lightweight design suits direct connection to power tools. Aluminum body is adopted for some models to reduce the weight.
- Just push the plug into socket for easy one hand connection.
- Available in various end configurations for a wide range of pneumatic applications.
- Model O2S20P can be connected with sockets of Hi Cupla Models 20, 30 and 40.
- Also available with quick connect / disconnect Tube Fitter type.

Specifications

| | | | | |
|--|---|-------------|---------------------------|-----------------------|
| Body material | Cupla : Steel (Chrome-plated), Aluminum Tube Fitter Type: Brass (Nickel-plated) | | | |
| Size | 1/8" • 1/4" | | | |
| Tube size (for Tube Fitter end configurations) | Polyurethane : $\phi 6 \pm 0.1$ • $\phi 8 \pm 0.15$ Nylon : $\phi 6^{+0.05}_{-0.08}$ • $\phi 8^{+0.05}_{-0.1}$ Teflon : $\phi 6 \pm 0.07$ • $\phi 8 \pm 0.07$ | | | |
| Working pressure MPa (kgf/cm ²) | 1.0 {10} | | | |
| Pressure resistance MPa (kgf/cm ²) | 1.5 {15} | | | |
| Seal material | Seal material | Mark | Working temperature range | Remarks |
| | Nitrile rubber | NBR (SG) | -20°C~+80°C | Standard material |
| Working temperature range | Fluoro rubber | FKM (X-100) | -20°C~+180°C | Made-to-order item(s) |

• Above specifications apply only to Cuplas. Working pressure, pressure resistance and working temperature range may vary depending on tube materials you use with and temperature conditions you use under. Micro Cupla with Tube Fitter has NBR packing material only.

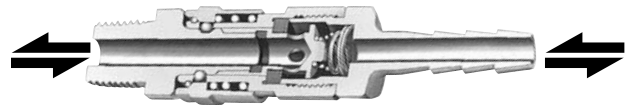
Max. Tightening Torque

N·m (kgf·cm)

| | | |
|--------|--------|----------|
| Size | 1/8" | 1/4" |
| Torque | 7 (71) | 14 (143) |

Flow Direction

Air flows in either direction from plug or socket side when coupled.



Interchangeability

Any socket and plug can be connected regardless of their end configurations.

*Can be connected with Mold Cuplas.

*When conversion socket+plug Model O2S20P is used, Super Cupla plugs can be connected with sockets of Hi Cupla Models 20, 30 and 40.

Min. Cross-Sectional Area

(mm²)

| Model | O1SP | O2SP | Tube Fitter Type for 6mm OD tube | Tube Fitter Type for 8mm OD tube |
|---------------------------|------|------|----------------------------------|----------------------------------|
| Min. Cross-Sectional Area | 19 | 19 | 12.5 | 19 |

Suitability for Vacuum

Not suitable for vacuum application in either connected or disconnected condition.

Pressure - Flow Characteristics

[Test conditions] • Fluid : Air • Temperature : Room temperature
• Tube size : $\phi 6\text{mm} \times \phi 4\text{mm}$, $\phi 8\text{mm} \times \phi 6\text{mm}$ ((Super Cupla with Tube Fitter))

