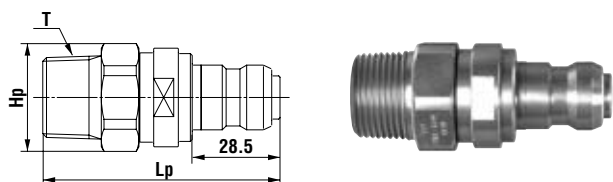


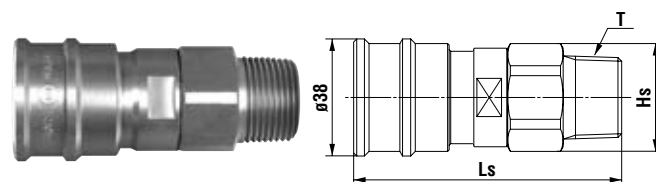
Models and Dimensions

**Plug PM type (Male thread)**



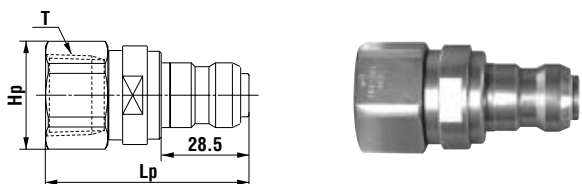
Model	Application	Mass (g)	Dimensions (mm)		
			Lp	Hp(WAF)	T
HCF-4PM	Rc 1/2	192	73	Hex.29 x ø32	R 1/2
HCF-6PM	Rc 3/4	201	77	Hex.32 x ø35	R 3/4

**Socket SM type (Male thread)**



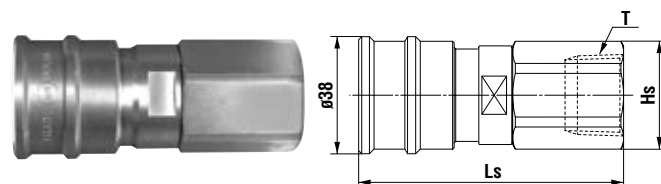
Model	Application	Mass (g)	Dimensions (mm)		
			Ls	HS(WAF)	T
HCF-4SM	Rc 1/2	392	99	Two flats 29 x ø32	R 1/2
HCF-6SM	Rc 3/4	345	87	Hex.32 x ø35	R 3/4

**Plug PF type (Female thread)**



Model	Application	Mass (g)	Dimensions (mm)		
			Lp	Hp(WAF)	T
HCF-4PF	R 1/2	136	56	Hex.29 x ø32	Rc 1/2
HCF-6PF	R 3/4	165	66	Hex.32 x ø35	Rc 3/4

**Socket SF type (Female thread)**



Model	Application	Mass (g)	Dimensions (mm)		
			Ls	HS(WAF)	T
HCF-4SF	R 1/2	373	86	Two flats 29 x ø32	Rc 1/2
HCF-6SF	R 3/4	366	86	Hex.32 x ø35	Rc 3/4

Optional accessories exclusively for HCF Cupla

**Metal jig for disconnection**

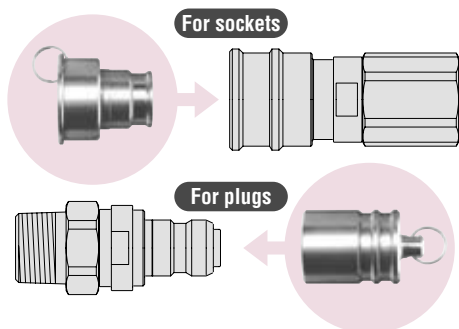
The jig is used when it is hard to disconnect Socket and Plug. The jig will help users to easily pull up the sleeve for disconnection, when it is difficult by hand, such as when Cuplas are hot, or placed in an extremely restricted area, or when strong force is required for disconnection.



Use the disconnection jig as you pull up the sleeve.

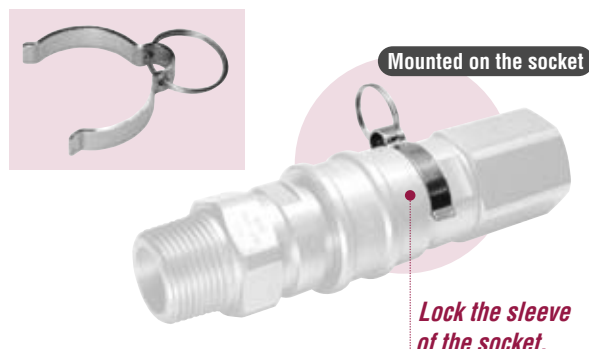
**Protection cap**

Metal caps equipped with dust-proof function are available for socket and plug.



**Stainless Steel Sleeve Stopper**

Mount the sleeve stopper after connection of socket and plug and then it locks the sleeve of the socket and prevents unexpected disconnection.



Lock the sleeve of the socket.