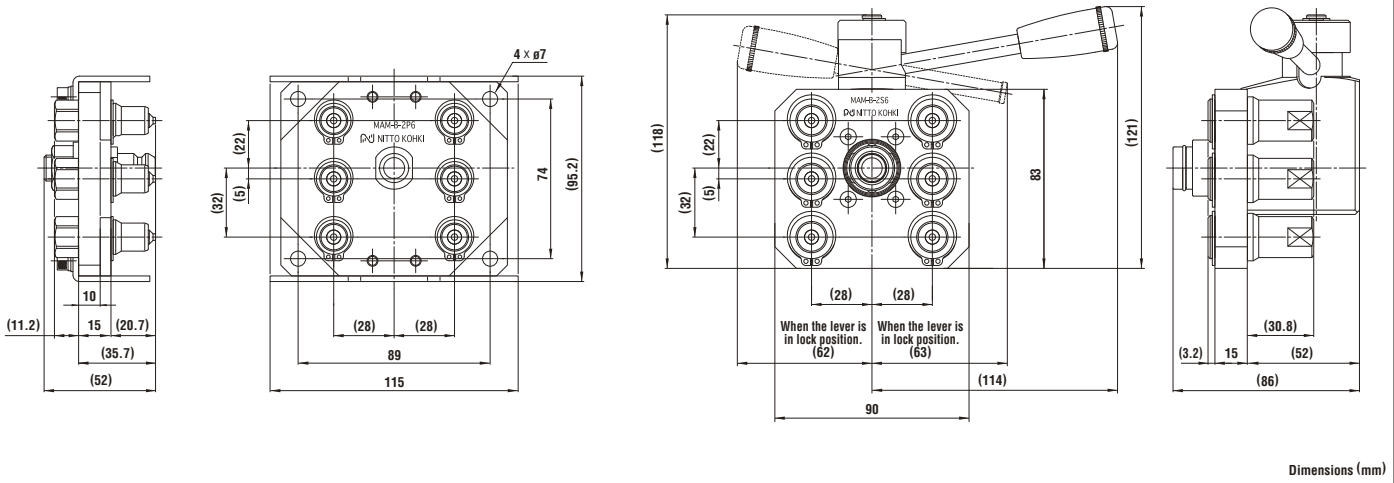


Model MAM-B-2P6 × MAM-B-2S6 (6 ports type)

• Application: R 1/4 Mass: 740 g (Plug), 1280 g (Socket)

Plug: Model **MAM-B-2P6**

Socket: Model **MAM-B-2S6**



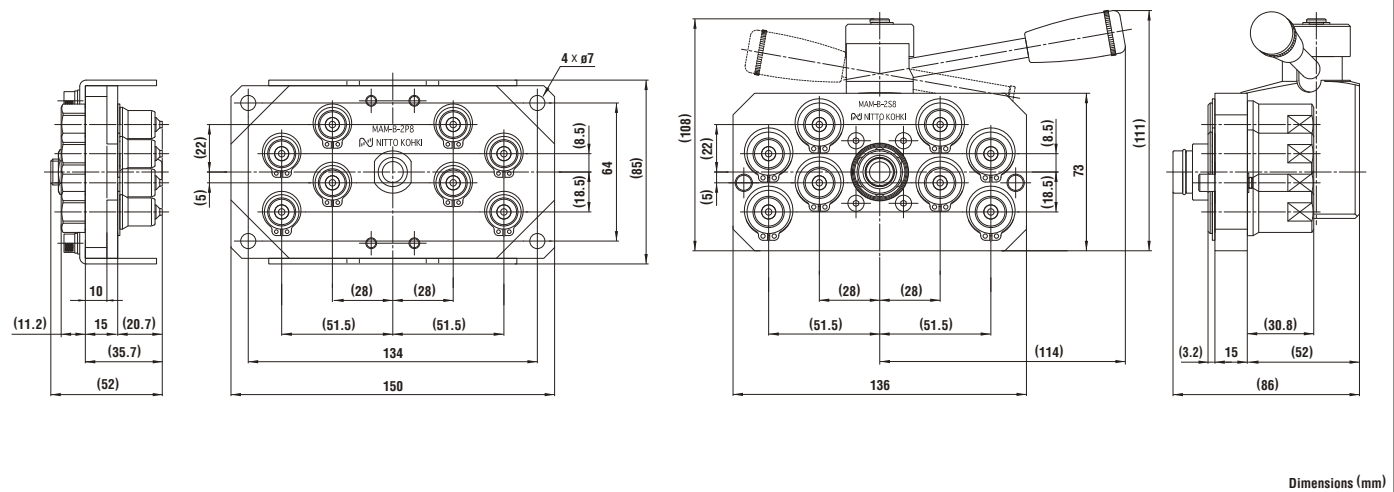
Dimensions (mm)

Model MAM-B-2P8 × MAM-B-2S8 (8 ports type)

• Application: R 1/4 Mass: 920 g (Plug), 1550 g (Socket)

Plug: Model **MAM-B-2P8**

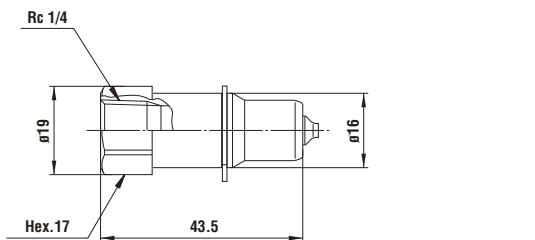
Socket: Model **MAM-B-2S8**



Dimensions (mm)

Plug Model MAM-A-2P (Individual Cupla)

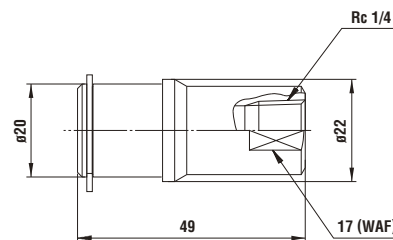
• Application: R 1/4 Mass: 40 g
• Can be mounted on model MAM-B-2P6 and MAM-B-2P8.



Dimensions (mm)

Socket Model MAM-A-2S (Individual Cupla)

• Application: R 1/4 Mass: 82 g
• Can be mounted on model MAM-B-2S6 and MAM-B-2S8.



Dimensions (mm)

Made-to-order Multi Cuplas are available on request, such as a combination of different sizes on the flange plate.

Before use, please be sure to read "Safety Guide" described at the end of this book and "Instruction Sheet" that comes with the products.