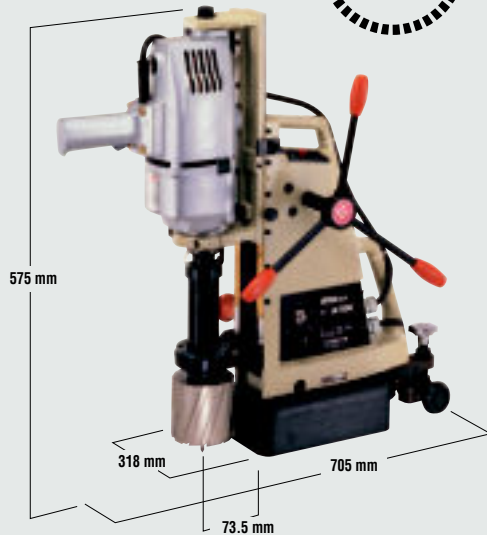


Designed to use Jetbroach Carbide Tipped Annular Cutters



ATRA ACE
manual feed

Model **A-100**



Side-lock Type Cutter

Max. Hole-cutting Capacity : 100 mm dia.
Max. Plate Thickness : 75 mm

**The largest capacity drilling machine
in the Nitto Kohki line.**

Specifications

Model		A-100	
Power Source (Single Phase)		220 - 240 V AC, 50/60 Hz	
Electric Drill	Rated Power Consumption	W	1,600
	Rated Current	A	7.4
	No Load Speed	min ⁻¹ (rpm)	330
Magnet Power Consumption		W	80
Hole-cutting Capacity		Cutter	Hole Diameter Plate Thickness
Side-Lock type JETBROACH 75L			50 to 100 mm 13 to 75 mm
Magnet Holding Power		N (kgf)	17,640 (1,800)
Magnet Dimensions		mm	130 x 256
Mass (Weight)		kg	50
Standard Accessories		<ul style="list-style-type: none"> • Pilot Pin 12075 : 1 pc. • Chain : 1 pc • 2 mm / 2.5 mm / 3 mm / 4 mm / 5 mm / 6 mm / 8 mm Hex Socket Screw Key : each 1 pc. • 7 x 8 mm Spanner : 1 pc. • Cutting Oil 0.5 L : 1 can • Tool box : 1 pc. • Oil Cap Assy : 1 set. • Rod Handle : 3 pcs. 	

The magnet bases of ATRA MASTER hold the drills perpendicular to steel plates even on non horizontal places.



ATRA MASTER
Model **M-100**



Drilling Capacity : 10 mm
Power Source (Single Phase) :
220 - 240 V AC, 50/60 Hz
Mass (weight) : 6.2 kg

ATRA MASTER
Model **M-130A**



Drilling Capacity : 13 mm
Power Source (Single Phase) :
220 - 240 V AC, 50/60 Hz
Mass (weight) : 16 kg

ATRA MASTER
Model **M-250B**



Drilling Capacity : 25 mm
Power Source (Single Phase) :
220 - 240 V AC, 50/60 Hz
Mass (weight) : 25.5 kg

ATRA MASTER
Model **M-320**



Drilling Capacity : 32 mm
Power Source (Single Phase) :
220 - 240 V AC, 50/60 Hz
Mass (weight) : 29 kg

N.B. : The electric drill and drill mount fixture do not come with ATRA MASTERS.